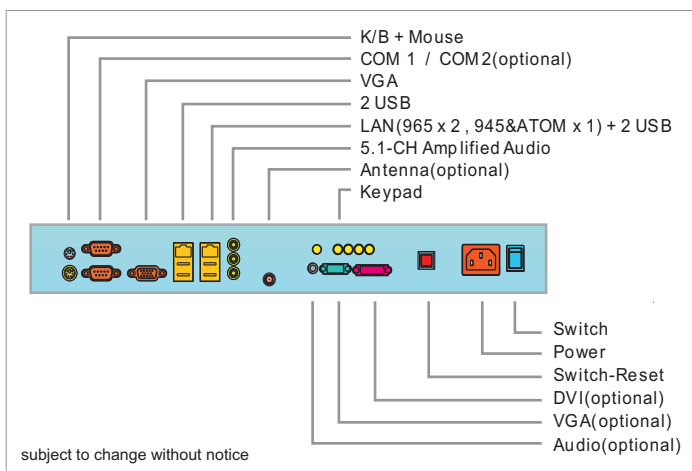


PANEL PC SYSTEMS

AT-MDP-26



Premier computer technology newest lunched product, AT-MDP Panel PC series. Mini ITX Motherboard, CPU, RAM, HD, Power supply, VGA board, WiFi, ALL integrated in one case. All you need to do just find a outlet, and plug in the power core.

AT-MDP Panel PC designed in all size, 19" 26" 32" 42" 47" 52" 65"(future), Premier Computer also provides High-Tech solutions for different customers needs and to fit different environment, such as IP Function, Sunlight solution, PID Control, PMMA & Tempered Glass Protection sheet, and Touch Screen.

- ✓ IP 65 in front bezel.
- ✓ Support Intel Core 2 Duo.
- ✓ Support Panel size 19"~65"
- ✓ 19" 26" 32"— SAW TOUCH
- ✓ 42" 47" 52" 65"— OPTICAL TOUCH
- ✓ Support Mini-PCI,
- ✓ Space for 1 x 2.5" HDD
- ✓ Support VESA mount
- ✓ 3 way range power input



Specification

System Specifications

| | |
|--------------------|--|
| CPU | Intel ATOM 1.6GHz up to Core 2 Duo 2.4GHZ |
| DRAM | 1GB up to 4GB |
| Storage | Space for 1x 2.5" HDD Expansion PCI slot x 1 , MiniPCI slot x 1(optional) |
| Fanless / Fan | Fanless |
| Touch screen | SAW Touch (optional) |
| Standard I/O ports | power input, 1 x PS/2 keyboard & mouse, 1 x Ethernet Port (or 2 for optional), 4 x USB 2.0 |
| Optional I/O ports | 1 x COM(or 2 for optional), 1 x VGA, 1 x Line-out, 1 x HDMI(optional), 1 x DVI |

Display Specifications

| | |
|--------------------|---------------------------|
| LCD | 26", AUO |
| Resolution | 1366 x 768 |
| Backlight Lifetime | Over 50,000 hrs |
| Color | 16.7M (RGB 6-bits, HiFRC) |
| Viewing Angle | 170°(H) x 170°(V) |
| Brightness | 550 cd/m2 |

Mechanical Specifications

| | |
|-------------------|---------------------------------------|
| Construction | Metal |
| Power input | 110V / 220V AC |
| Operating Temp. | 0°~50° C |
| Storage Temp. | -20°~60° C |
| Relative Humidity | 5~90% @40° C non-condensing |
| Rating | IP 65 compliant front bezel(optional) |
| Certificate | Meet CE / FCC |
| Mounting | 400(L) x 100(W) / mm |
| Dimensions | 662(L) x 408(W) x 124(D) / mm |

Order Information (Standard)

- AT-MDP26C2D24** Panel PC, Intel Core 2 Duo 2.4GHZ
4G Ram, 160GB HDD.
- AT-MDP26AT16** Panel PC, Intel ATOM 1.6 GHZ
2G Ram, 160GB HDD.

Options

- 965GME**
- CPU:T7500 2.2G , T8300 2.4G.
 - Ram:2G or 4 G.
 - P.M.M.A. Protection Sheet
- For ALL**
- HDD 2.5":160G , 250G , 320G.
 - WIFI

Accessories

- CD x 1
- Wall mount x 1
- Power Core x 1



subject to change without notice





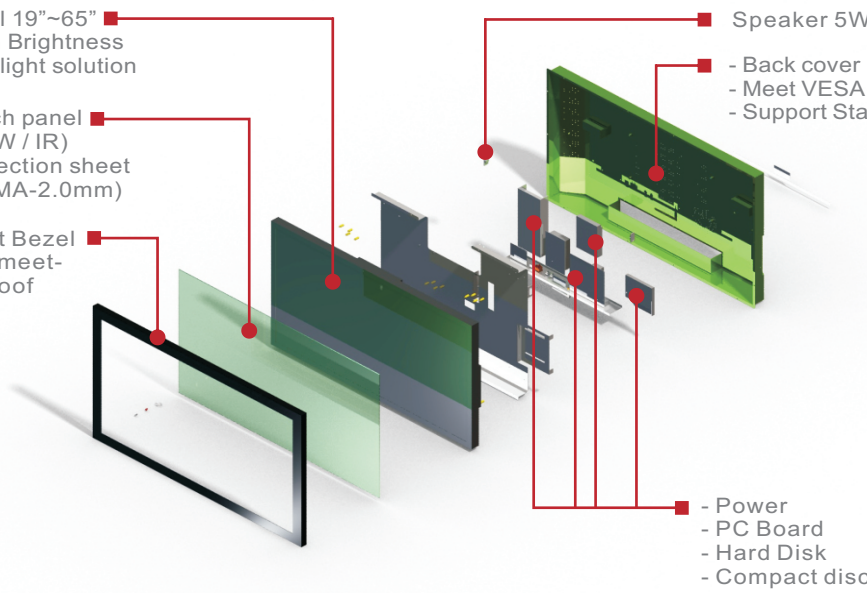
PANEL PC SYSTEMS

AT-MDP Modular Design

Panel 19"~65"
-High Brightness
-Sunlight solution

-Touch panel
(SAW / IR)
-Protection sheet
(PMMA-2.0mm)

Front Bezel
Can meet-
IP proof



Speaker 5W
- Back cover
- Meet VESA Standard
- Support Stand

- Power
- PC Board
- Hard Disk
- Compact disc

