

APC-3X91 Series

Performance IP 65/Intel GM45 Socket P Platform



Features



Stainless Steel, Sturdy and Reliable



Wide Range DC 11~32V Input



Core 2 Duo, Fanless Design



GFG Touch for Option



Totally IP 65

APC-3X91 Series

APC-3591/APC-3791/APC-3991

External I/O Port



APC-3591

Standard I/O:

- 2 x USB ports
- 1 x RJ-45 GbE LAN
- 2 x DB-9 RS-232 (COM 1-2) connectors
- 1 x DC power input

Full Function I/O Ports:

- 1 x VGA DB-15 port
- 1 x Audio, Line-out



APC-3791

Standard I/O:

- 2 x USB ports
- 1 x RJ-45 GbE LAN
- 2 x DB-9 RS-232 (COM 1-2) connectors
- 1 x DC power input

Full Function I/O Ports:

- 1 x VGA DB-15 port
- 1 x Audio, Line-out



APC-3991

Standard I/O:

- 2 x USB ports
- 1 x RJ-45 GbE LAN
- 2 x DB-9 RS-232 (COM 1-2) connectors
- 1 x DC power input

Full Function I/O Ports:

- 1 x VGA DB-15 port
- 1 x Audio, Line-out

APC-3X91 Series

Performance IP 65/Intel GM45 Socket P Platform

Specifications

Model No.	APC-3591	APC-3791	APC-3991
System			
Processor	Intel Socket P Core 2 Duo Processor with FSB 667/800/1066 MHz, up to Intel P 8400		
System Memory	1 x 204 Pin DDR3 1066/800 MHz SO-DIMM slot, up to 4 GB, default 2GB		
System Chipset	Intel GM45 + Intel ICH9M		
External I/O Port	Standard I/O: • 2 x USB ports • 1 x RJ-45 GbE LAN • 2 x DB-9 RS-232 (COM 1-2) connectors • 1 x DC power input Full Function I/O Ports: • 1 x VGA DB-15 port • 1 x Audio, Line-out • 1 x 2.5" SATA HDD • 1 x CF Slot (internal)		
Solid Storage Disk			
Expansion Slots	None		
OS Support	Windows XP Pro, XP Embedded		
LCD			
Display Type	15" TFT-LCD	17" TFT-LCD	19" TFT-LCD
Max. Resolution	1024x768	1280x1024	1280x1024
Max. Color	262K	262K	16.7M
Luminance (cd/m ²)	350	300	350
View Angle	H:120° / V:100°	H:170° / V:160°	H:170° / V:160°
Backlight Lifetime	50,000 hrs		
Touch Screen			
Type	Resistive (optional)		
Light Transmission	80%		
Power Supply			
Power Input	DC 11~32V		
Mechanical			
Construction	Stainless steel front bezel and aluminum extrusion back cover		
IP Rating	IP 65		
Mounting	VESA 100x100 / 200x100 Mount	VESA 100x100 Mount	VESA 75x75 Mount
Dimension	399(W)x324(H)x72(D) mm	432(W)x358(H)x68(D) mm	470(W)x389(H)x71(D) mm
Net Weight	6.9kgs	9.8kgs	11.2kgs
Environmental			
Operating Temperature	0~50 °C		
Storage Temperature	-20~60 °C		
Storage Humidity	10~90% @40 °C non-condensing		
Certificate	CE/FCC Class A		

Ordering Information

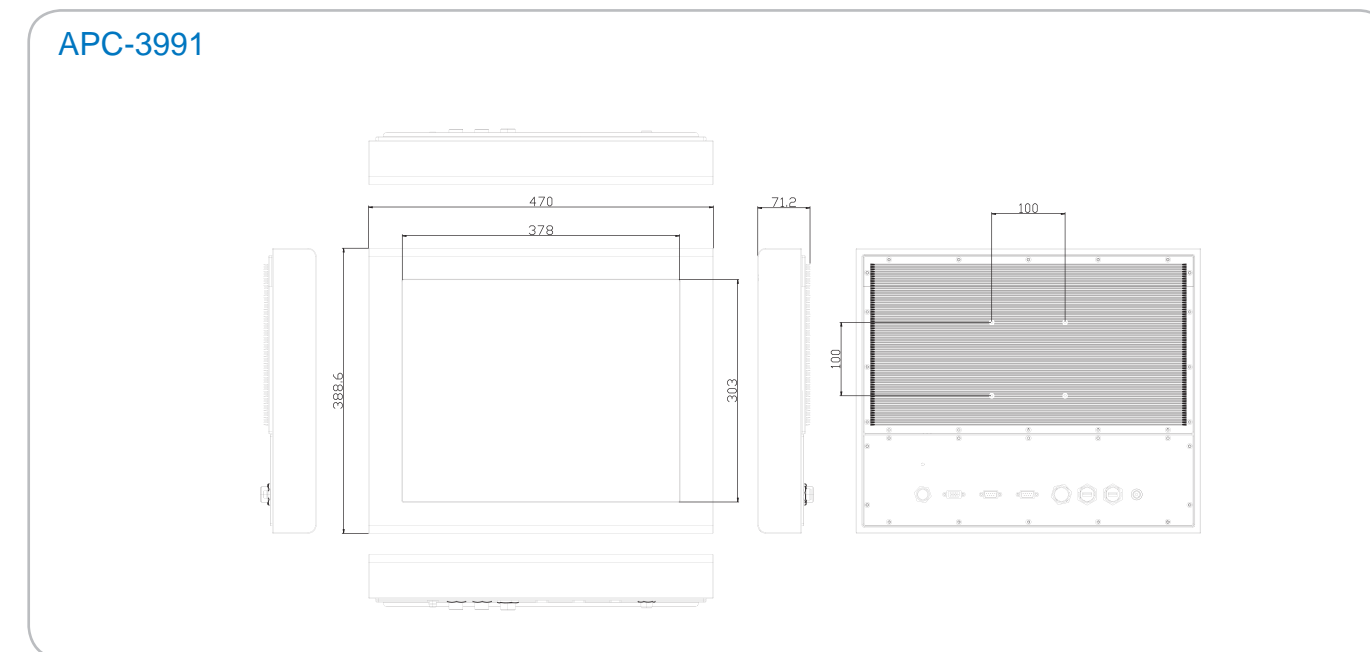
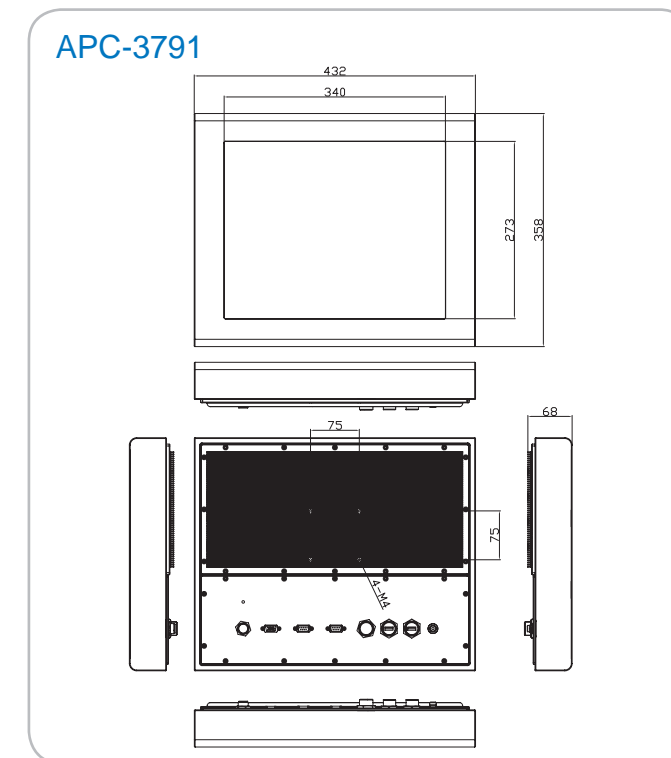
Model	Description
APC-3591T (Intel P8400)	15" XGA IP 65 fan less panel PC, Intel P8400 2.26GHz processor, 2GB DDR3 800 MHz memory, Intel GM45 chipset, 2.5" SATA 2 320GB Industrial HDD, resistive touch, 11~32V DC power input with adaptor, stainless steel front and aluminum die-casting back cover
APC-3591T (Intel T5450)	15" XGA IP 65 fan less panel PC, Intel T5450 1.6GHz processor, 2GB DDR3 800 MHz memory, Intel GM45 chipset, 2.5" SATA 2 320GB Industrial HDD, resistive touch, 11~32V DC power input with adaptor, stainless steel front and aluminum die-casting back cover
APC-3791T (Intel P8400 WiFi)	17" SXGA IP 65 fan less panel PC, Intel P8400 2.26GHz processor, 2GB DDR3 800 MHz memory, Intel GM45 chipset, 2.5" SATA 2 320GB Industrial HDD, Wi-Fi and bluetooth, resistive touch, 11~32V DC power input with adaptor, stainless steel front and aluminum heatsink back cover
APC-3791T (Intel T5450)	17" XGA IP 65 fan less panel PC, Intel T5450 1.6GHz processor, 2GB DDR3 800 MHz memory, Intel GM45 chipset, 2.5" SATA 2 320GB Industrial HDD, resistive touch, 11~32V DC power input with adaptor, stainless steel front and aluminum aluminum heatsink back cover

APC-3X91 Series

APC-3591/APC-3791/APC-3991

Dimensions

unit:mm



Ordering Information

Model	Description
APC-3991T (Intel P8400)	19" SXGA IP 65 fan less panel PC, Intel P8400 2.26GHz processor, 2GB DDR3 800 MHz memory, Intel GM45 chipset, 2.5" SATA 2 320GB Industrial HDD, resistive touch, 11~32V DC power input with adaptor, stainless steel front and aluminum heatsink back cover
APC-3991T (Intel T5450)	19" XGA IP 65 fan less panel PC, Intel T5450 1.6GHz processor, 2GB DDR3 800 MHz memory, Intel GM45 chipset, 2.5" SATA 2 320GB Industrial HDD, resistive touch, 11~32V DC power input with adaptor, stainless steel front and aluminum aluminum heatsink back cover