

APC-3081/APC-3121

Rugged Panel PC/Intel Atom Z5XX



APC-3081/APC-3121

APC-3081/APC-3121

Overlay Resistive Touch

IP 65 / IP 67



APC-3081



APC-3121

Features



Rugged, Aluminum Die Casting Housing



High Brightness 800 nits for Option



Wide Range Working Temperature -20~70 °C Available



Adjustable Mounting Kit



Wi-Fi, Bluetooth, 3.5G, GPS Module for Option



APC-3081/APC-3121

Rugged Panel PC

Specifications

Model No.	APC-3081	APC-3121 Q1/2012
System		
Processor	Intel Atom Z510 1.1 GHz, optional Z530 1.6 GHz	Intel Atom Z510P 1.1 GHz, optional Z530P 1.6 GHz
System Memory	1 GB DDR2 400 MHz on board	1 GB DDR2 400 MHz on board
System Chipset	Intel US15W	Intel US15WP
External I/O Port	<ul style="list-style-type: none"> • 2 x USB ports • 1 x LAN • 1 x COM port • 1 x DC power input 	<ul style="list-style-type: none"> • 4 x USB 2.0 • 1 x LAN • 1 x RS232 (COM1) • 1 x RS485 (COM2) • 1X3 Pin terminal black DC power input
Solid Storage Disk	<ul style="list-style-type: none"> • 1 x 2.5" SATA HDD • 1 x CF Slot (on board) 	<ul style="list-style-type: none"> • 1 x 2.5" SATA HDD • mSATA Device
Expansion Slots	None	
OS Support	Windows XP, XP Embedded, Win CE 5.0	Windows XP, XP Professional, XP Embedded, Windows Embedded Standard 7
LCD		
Display Type	8" TFT-LCD	12.1" TFT-LCD
Max. Resolution	800x600	1024x768
Max. Color	262K	262K
Luminance (cd/m ²)	350, 800 for option	500
View Angle	H:140° / V:100°	H:160° / V:140°
Backlight Lifetime	40,000 hrs	50,000 hrs
Touch Screen		
Type	Resistive touch (Optional)	Overlay Resistive
Light Transmission	80%	
Power Supply		
Power Input	DC 9~32V	
Mechanical		
Construction	Aluminum die casting housing	
IP Rating	IP 65 / IP 67 for option	Front Panel IP 65, Totally IP 54
Mounting	VESA 75x75 Mount	VESA 75x75 Mount
Dimension	251(W)x201(H)x64(D) mm	328.6(W)x260.5(H)x74.2(D) mm
Environmental		
Operating Temperature	0~50 °C, /-20~70 °C (Wide temperature model)	0~50 °C
Storage Temperature	-20~60 °C, /-30~85 °C (Wide temperature model)	-30~85 °C
Storage Humidity	10~90%@40°C non-condensing	10~90%@40°C non-condensing
Certificate	CE/FCC Class A	Meet CE/FCC Class A

Ordering Information

Model	Description
APC-3081T	8" SVGA IP 65 rugged panel PC , Intel ATOM Z510 processor,1GB DDR2 400MHz memory onboard, 16GB SLC SSD, resistive touch, Wi-Fi and bluetooth,9~32V DC input with Adaptor, aluminum die-casting enclosure
APC-3081T (Wide Temperature)	8" SVGA IP 67 rugged panel PC , Intel ATOM Z510 processor,1GB DDR2 400MHz memory onboard, 16GB SLC SSD, bounding resistive touch, Wi-Fi and bluetooth,9~32V DC input with Adaptor,-20~70° wide working temperature aluminum die-casting enclosure
APC-3081T (Z530)	8" SVGA IP 65 rugged panel PC , Intel ATOM Z530 processor,1GB DDR2 400MHz memory onboard, 16GB SLC SSD, resistive touch, Wi-Fi, bluetooth, GPS, ,9~32V DC input with Adaptor, aluminum die-casting enclosure

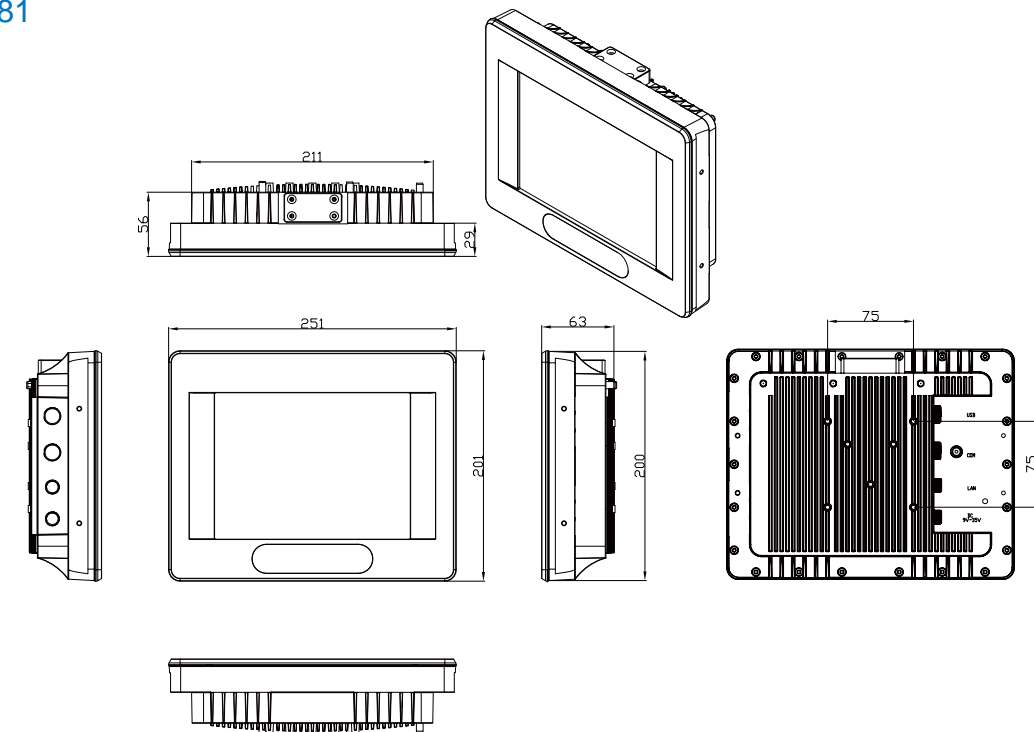
APC-3081/APC-3121

APC-3081/APC-3121

unit:mm

Dimensions

APC-3081



APC-3121

Q1/2012

