



Features

- Fanless
- Intel® Atom™ N270 1.6GHz Processor, FSB 533 MHz
- One 200-pin SO-DIMM socket, up to 2GB DDR2 533 MHz SDRAM
- NEMA 4/IP65 compliant front panel
- Sealed resistive touch screen
- DC 11~32V wide-ranging power input



Specifications

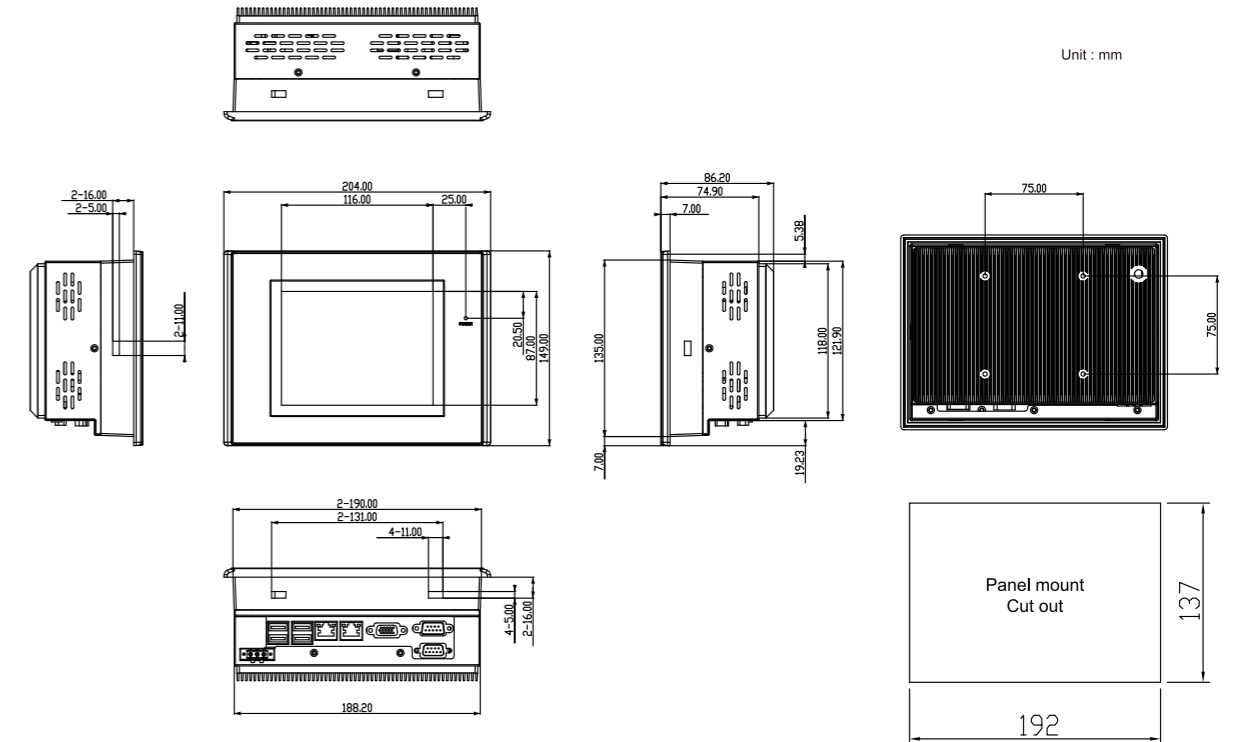
System	
Processor	Intel® Atom™ N270 1.6 GHz built-in, FSB 533 MHz
System Memory	1 x 200-pin SO-DIMM socket, support 533 MHz up to 2GB DDR2 SDRAM
System Chipset	Intel® 945GSE + ICH7M
External I/O Port	<ul style="list-style-type: none"> ● 4 x USB ports ● 2 x RJ-45 ports (GbE) ● 1 x DB-9 (COM1/3, RS-232) ● 1 x DB-9 (COM2, RS-232/422/485, default RS-232) ● 1 x VGA port ● 1 x DC power input
Storage	1 x 2.5" SATA HDD, 1 x internal CF slot
Expansion Slots	None
OS Support	Windows® CE 5.0, XP Pro, XP Embedded, Windows® 7

LCD	
Display Type	5.7" TFT-LCD
Max. Resolution	640x480
Max. Color	262K
Luminance (cd/m²)	400
View Angle	H:140° / V:100°
Backlight Lifetime	40,000hrs

Touch Screen	
Type	Sealed analog resistive
Light Transmission	80%

Power Supply	
Power Input	DC 11~32V

Dimension



Mechanical	
Construction	Plastic molding front panel and metal housing
Color	Black
IP Rating	NEMA 4/ IP 65 compliant front panel
Mounting	Panel / VESA 75x75 Mount
Dimension	204(W)x149(H)x86.2(D)mm
Net Weight	3kgs

Environmental	
Operating Temperature	0~50 °C
Storage Temperature	-20~60 °C
Storage Humidity	10~90% @40 °C non-condensing
Certificate	Meet CE/FCC Class A

Ordering Information	
AHM-6057A	5.7" Intel® Atom™ N270 low power Fanless HMI
AHM-6057AT	5.7" Intel® Atom™ N270 low power Fanless HMI with touch screen